

Rugged Monitor

RDC-24W

24" (16: 9) Rugged Monitors



Features:

- -10~55°C wide range operating temperature
- Front IP65
- MIL-STD-810G Compliance
- Default Black Color, others for customized
- Heavy duty aluminum steel housing



Specification

Down Side Input / Output :

- VGA : 1 x VGA Input
- DVI : 1 x DVI Input
- Power : 9~36V DC Input (Terminal block)
- USB : 1 x USB for touch screen (Optional)

Environment Tolerance:

- Net Weight : 10 KG (Identity)
- Operating Temp. : -10 deg. C to 55 deg. C
- Storage Temp. : -30 deg. C to 80 deg. C
- Operating Humidity : 10% to 95% (Non Condensing)
- IP65 : Front IP65
- Vibration : MIL-STD-810G Method 514.6C-3
- Shock : MIL-STD-810G Method 516.6

System Specification :

- Housing Material : Full Alu. case with anodized coating
- Power Input : 9~36V DC Input
- Power Consumption : 40 watt (Typ.)
- Dimming : 0~100% brightness dimming (with dimming knob in front)
- Mounting : 1. 100x100, 200x100 VESA Mount
2. Flush Mount

Panel Specification :

- Size/ Type : 24" LCD (23.8" in diagonal , IPS color with LED backlight)
- Active Area (mm) : 527.04 (H) x 296.46 (V)
- Pixel Pitch (mm) : 0.2745 (H)x0.2745 (V)
- Resolution : 1920 x 1080 @ 60Hz
- Contrast Ratio : 1000 : 1 (typ.)
- Max. Colors : 16.7M colors
- Brightness : 300 nits (cd/m²)
- Viewing Angle : -89 ~ 89 (H); -89 ~ 89 (V)

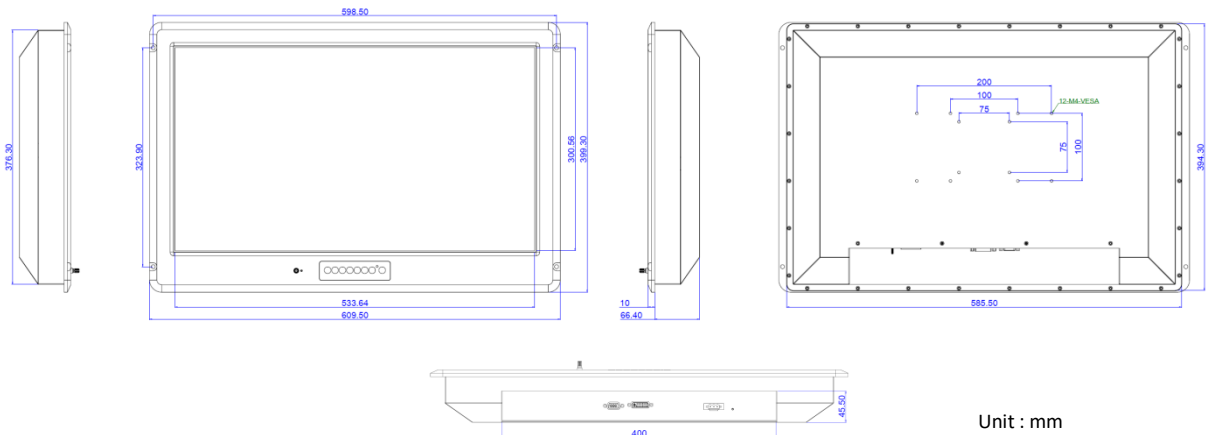
OSD Control :

- OSD Input : 5-key OSD buttons
- OSD Function : Contrast, Color, Position, Auto-adjustment, Factory Settings

Order Options :

- Optical Bonding : Panel and glass optical bonded
- Touch : P-cap multi touch screen
- Programmable keys : Front 13 rubber keys for programmable

Drawings



Unit : mm