

Industrial LCD Touch Display

LPM-15R

15" (4:3) LCD Touch Monitor



Specification

Input Interface :

- VGA : 1 x VGA D-Sub 15 pin
- DVI : 1 x DVI-D (optional)
- HDMI : NA
- Video : S-Video, Composite (optional)
- USB : 1 x USB for touch (optional)
- Power Input : 1 x 12V DC input

Power Specification:

- Power Input : DC Input, w/an AC to DC power adapter
- Consumption : 25 W typical, normal operation
- Management : VESA DPMS compliant
- Power Cord : Power cord provided by region

Environment Tolerance:

- Operating Temperature : -5 deg. C to 50 deg. C
- Storage Temperature : -40 deg. C to 70 deg. C
- IP Level : Front IP65

Panel Specification :

- Size/ Type : 15" (4:3) LCD (LED backlight)
- Active Area (mm) : 304.1 (H) x 228.1 (V)
- Pixel Pitch (mm) : 0.297 (H) x 0.297 (V)
- Resolution : 1024 x 768 @ 60Hz, 75Hz
- Contrast Ratio : 500 : 1 (typ.)
- Max. Colors : 16.2M
- Brightness : 250 nits (cd/m²)
- Viewing Angle : -70 ~ 70 (H); -60 ~ 60(V)
- Touch Screen : 5-wire resistive touch screen

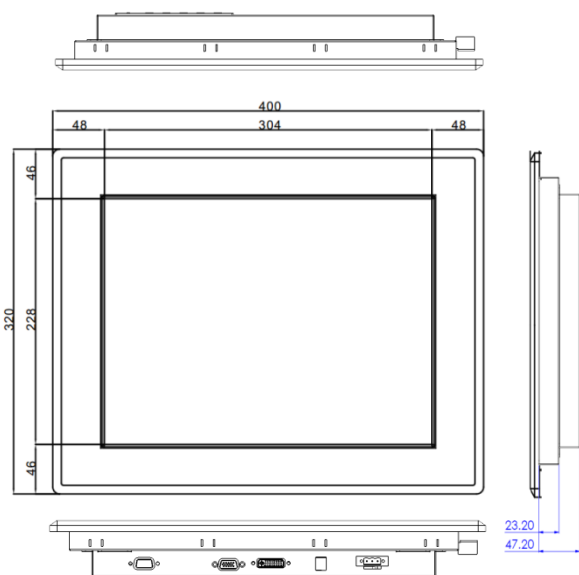
OSD :

- OSD Input : 5-key OSD buttons
- OSD Function : Contrast, Color, Position, Auto-adjustment, Factory Settings

Order Information :

- Wide range temp. : -30~ 55C Operating temperature (for optional)
- Touch option : Vandal proof IR touch(for optional)
- Custom Color : Custom Color (for optional)
- High Brightness : High Brightness 1,000 nits

Drawings



CUT OUT DIMENSION(360x280mm)
Unit: mm

